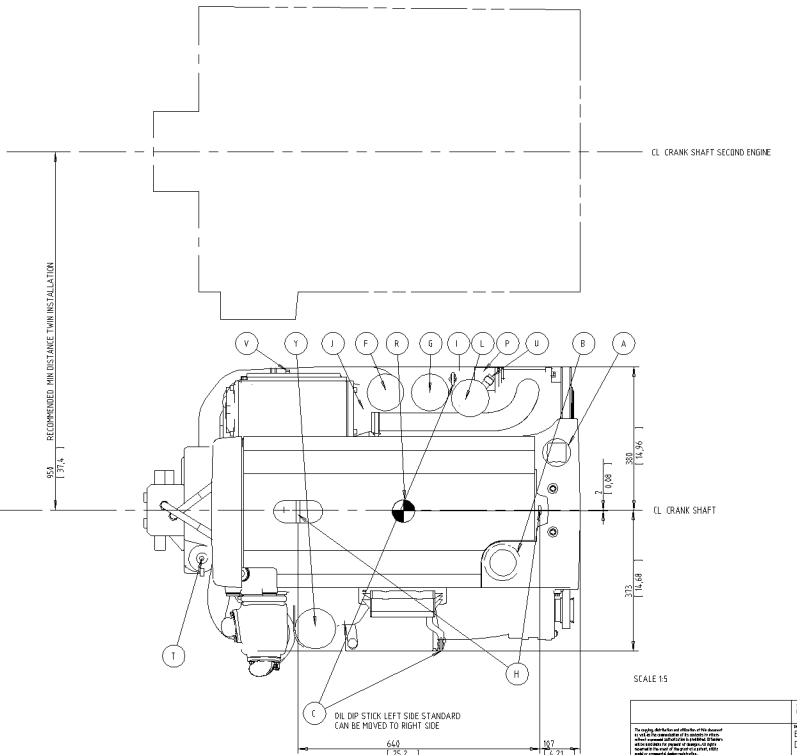
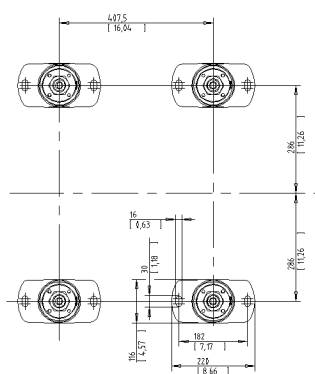


- A WATER FILLER CAP, FRESH WATER
- B OIL FILLER CAP, ENGINE
- C OIL DIP STICK, ENGINE LEFT OR RIGHT SIDE MOUNTED
- D ECU CONTROL UNIT
- E OIL DRAIN (WITH PUMP), ENGINE n 12.5
- F OIL FILTER MAIN
- G OIL FILTER BYPASS
- H LIFTING EYE
- I WATER DRAIN, FRESH WATER
- J WATER DRAIN, SEA WATER
- K AIR FILTER
- L FUEL FILTER
- M HOT WATER OUTLET
- N HOT WATER INLET
- P SEA WATER INLET n 38
- Q OIL DIP STICK REVERSE GEAR
- R CENTRE OF GRAVITY
- S ELASTIC SUSPENSIONS 4x
- T OIL DRAIN REVERSE GEAR
- U FUEL INLET CONNECTION
- V FUEL RETURN TO TANK
- X ENGINE STOP
- Y CRANK CASE VENTILATION
- Z EXHAUST RISER n 102 (4") (OPTION)
- AA SEA WATER PUMP
- AB EXHAUST ELBOW n 102 (4")
- AC EXTRA ALTERNATOR
- AD DIAGNOSE CONNECTOR
- AF DATALINK, SENDER AND AUX (2x)



<b>VOLVO PENTA</b> 21912434 01	ENGINE DIMENSIONS AND GENERAL DIMENSIONS FOR SERVICE ACCESS DIMENSIONS AND GENERAL DIMENSIONS FOR SERVICE ACCESS DIMENSION DRAWING Scale 1:5	Released by: 1111 Date: 21912434 01
--------------------------------------	---	---